

## Spring Loaded Regulator

J44 is an unbalanced valve, diaphragm sensed, spring-loaded, pressure regulator, for use with steam. It's heavy duty all metal construction makes it ideal and robust enough for the high temperature service. With accurate and reliable operation, it is ideal for low, and medium pressure applications.



### Standard Features

**Valve Size:**

4mm UNBALANCED

**Materials of construction:**

BODY - STAINLESS STEEL - BS EN 10088 1.4401

SPRING HOUSING - STAINLESS STEEL - BS EN 10088 1.4401

SEAT - HASTELLOY - UNS 10276

TRIM & DIAPHRAGM - STAINLESS STEEL - BS EN 10088 1.4401

**Connections:**

LINE 1/2" BSPP (INLET & OUTLET)

**Maximum Inlet Pressure:**

50 BAR (3045 PSI) @ 20°C & 100°C

**Outlet Pressure Range:**

0 - 35 BAR (0 - 435 PSI) @ 20°C & 100°C

**Media:**

STEAM

**Weight:**

1.5 Kg (3.3 lb)

### Options

**Valve Size:**

7mm UNBALANCED

## Applications

- Manufacturing Processes
- Brewing Industry
- Naval
- Power Stations

## Ordering Information

TYPE	VALVE SEAT SIZE	MATERIAL OPTION	CONNECTIONS	OUTLET PRESSURE
J44	<b>B</b> (4mm) <b>D</b> (7mm)	<b>A9</b>	<b>E3</b>	<b>L</b> (0-4 BAR) <b>R</b> (0-15 BAR) <b>T</b> (0-35 BAR)

ORDERING INFORMATION EXAMPLE:

J44BA9E3R

## Notes

## Technical Specifications

### Pressure

	PRESSURE
TEST (PROOF) PRESSURE	75 BAR (1088 PSI)
MAXIMUM INLET PRESSURE	SEE TABLE BELOW
REDUCED OUTLET PRESSURE RANGE	SEE TABLE BELOW

### Outlet Pressure Ranges

WORKING TEMP	MAX INLET PRESSURE	MAX OUTLET PRESSURE
20°C	50 BAR (726 PSI)	35 BAR (508 PSI)
100°C	50 BAR (726 PSI)	35 BAR (508 PSI)
200°C	45 BAR (653 PSI)	32 BAR (464 PSI)
300°C	35 BAR (508 PSI)	25 BAR (363 PSI)

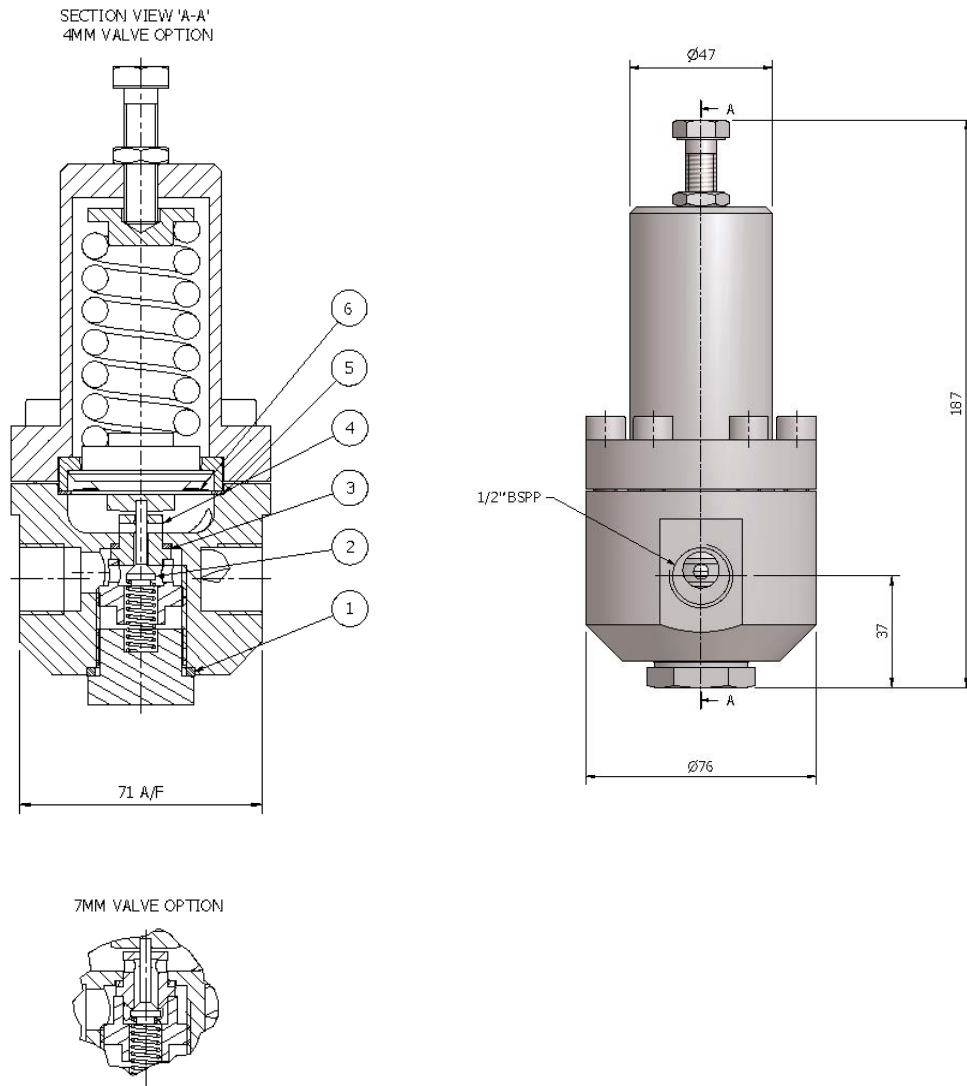
### Valve Size

	4mm	7mm
NOMINAL SIZE	4mm (0.157")	7mm (0.276")
ORIFICE AREA A1	12.64mm <sup>2</sup> (0.02 in <sup>2</sup> )	22.94mm <sup>2</sup> (0.036 in <sup>2</sup> )
PORT AREA A2	127.2mm <sup>2</sup> (0.12in <sup>2</sup> )	127.2mm <sup>2</sup> (0.12in <sup>2</sup> )
FLOW COEFFICIENT	Kv = 0.38 (Cv = 0.44)	Kv = 0.68 (Cv = 0.79)

### Spares Code

SPARES	SEAT OPTION
J44S	B (4mm) D (7mm)

## Technical Specifications



### Spares BOM

ITEM	DESCRIPTION	MATERIAL	QTY
1	SEALING RING	BS EN 10088 1.4401	1
2	VALVE	UNS 10276	1
3	SEALING RING	BS EN 10088 1.4401	1
4	VALVE SEAT	UNS 10276	1
5	GASKET	KLINGERSIL C4500	1
6	DIAPHRAGM PLATE	BS EN 10088 1.4401	1