

## Filters

A rugged all stainless steel line filter.

Comprises a stainless mesh element which can be easily removed for maintenance.



### Standard Features

<b>Nominal Pipe Size:</b>	<b>W11</b>	<b>W12</b>
	DN 10	DN 25
<b>Materials of construction:</b>		
<ul style="list-style-type: none"> <li>• BODY - STAINLESS STEEL - BS EN 10088 1.4401</li> <li>• FILTER - STAINLESS STEEL MESH</li> <li>• 'O' RINGS - NITRILE</li> </ul>		
<b>Connections:</b>	<b>W11</b>	<b>W12</b>
	3/8" BSPP	1" BSPP 3/4" BSPP
<b>Filtration:</b>		
<ul style="list-style-type: none"> <li>• 25 MICRONS</li> </ul>		
<b>Maximum Inlet Pressures:</b>	<b>W11</b>	<b>W12</b>
	750 BAR (10882 PSI)	420 BAR (6094 PSI)
<b>Media:</b>		
<ul style="list-style-type: none"> <li>• GASES</li> </ul>		
<b>Weight:</b>	<b>W11</b>	<b>W12</b>
	1 Kg (2.2lb)	4 Kg (8.8 lb)

### Options

**Materials of Construction:**

- 'O' RINGS - FLUOROCARBON OR EPDM

**Connections:**

- NPT CONNECTIONS ON REQUEST

**Filtration:**

- 5 MICRONS
- 15 MICRONS

**Special coupling for direct fitting to valve available, please contact sales**

## Applications

- Use in conjunction with regulators to ensure valve life.
- All fluid applications.

## Ordering Information

TYPE	MATERIAL OPTION	CONNECTIONS	ELASTOMER	FILTRATION
<b>W11</b>	<b>A9</b> (St. Stl.)	<b>E2</b> (3/8" BSPP) <b>A2</b> (3/8" NPT)	<b>N</b> (NITRILE) <b>V</b> (FLUOROCARBON) <b>E</b> (EPDM)	<b>05</b> (5 MICRONS) <b>15</b> (15 MICRONS) <b>25</b> (25 MICRONS)
<b>W12</b>	<b>A9</b> (St. Stl.)	<b>E5</b> (3/4" BSPP) <b>A5</b> (3/4" NPT)  <b>E6</b> (1" BSPP) <b>A6</b> (1" NPT)	<b>N</b> (NITRILE) <b>V</b> (FLUOROCARBON) <b>E</b> (EPDM)	<b>05</b> (5 MICRONS) <b>15</b> (15 MICRONS) <b>25</b> (25 MICRONS)

**ORDERING INFORMATION EXAMPLE:**

**W11A9E2N05**

## Notes

## Technical Specifications

## Pressure

	W11	W12
TEST (PROOF) PRESSURE	1125 BAR (16313 PSI)	630 BAR (9141 PSI)
MAXIMUM INLET PRESSURE	750 BAR (10875 PSI)	420 BAR (6094 PSI)

## Temperature Range

	W11	W12
STANDARD	-10°C TO +100°C	ALL
OPTION	-40°C TO +150°C	CONSULT IVP

## Valve Size and Flow Area

	W11	W12
NOMINAL SIZE	10mm (0.43")	25mm (1")
FLOW COEFFICIENT	Kv=0.82 (Cv=0.96)	Kv=5.82 (Cv=6.85)
ORIFICE AREA A1	28mm <sup>2</sup> (0.04in <sup>2</sup> )	200mm <sup>2</sup> (0.31in <sup>2</sup> )

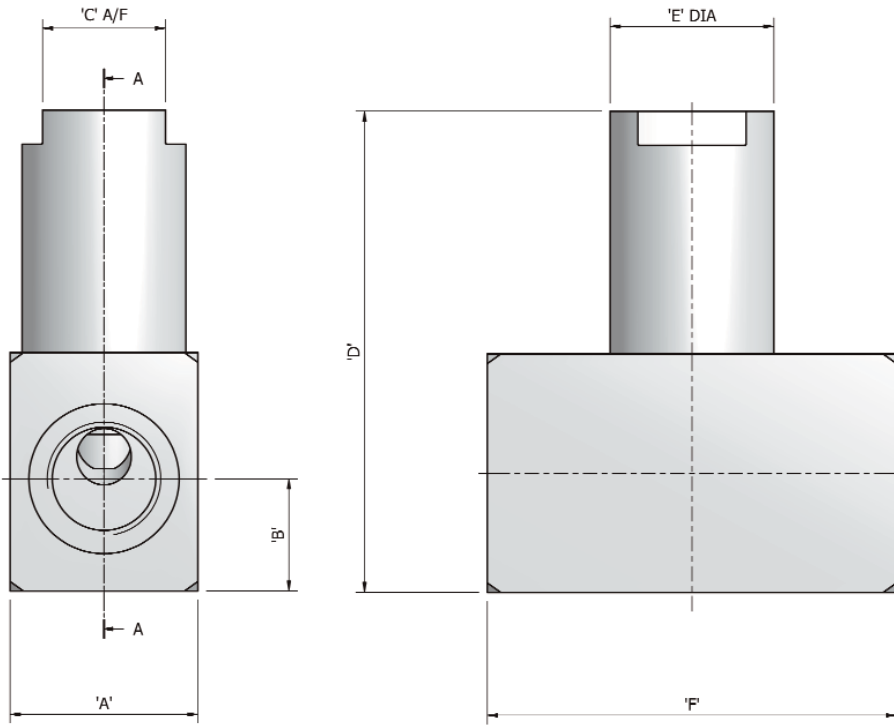
## Spares Code

SPARES	FILTRATION	ELASTOMER
W11S	05 (5 MICRONS) 15 (15 MICRONS) 25 (25 MICRONS)	N (NITRILE) V (FLUOROCARBON) E (EPDM)
W12S	05 (5 MICRONS) 15 (15 MICRONS) 25 (25 MICRONS)	N (NITRILE) V (FLUOROCARBON) E (EPDM)

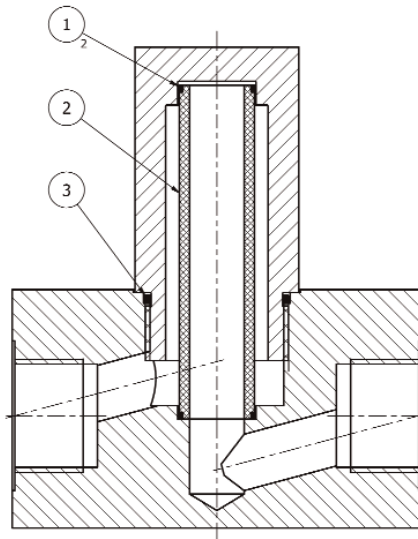
## Spares BOM

ITEM	DESCRIPTION	MATERIAL	QTY
1	'O' RING	RUBBER	2
2	FILTER	STEEL MESH	1
3	'O' RING	RUBBER	1

## Technical Specifications



SECTION VIEW 'A-A'



### Dimensions

TYPE	'A'	'B'	'C'	'D'	'E'	'F'	WEIGHT
W11	38	17	24	103	32	65	1 Kg
W12	55	33	36	141	48	120	4 Kg